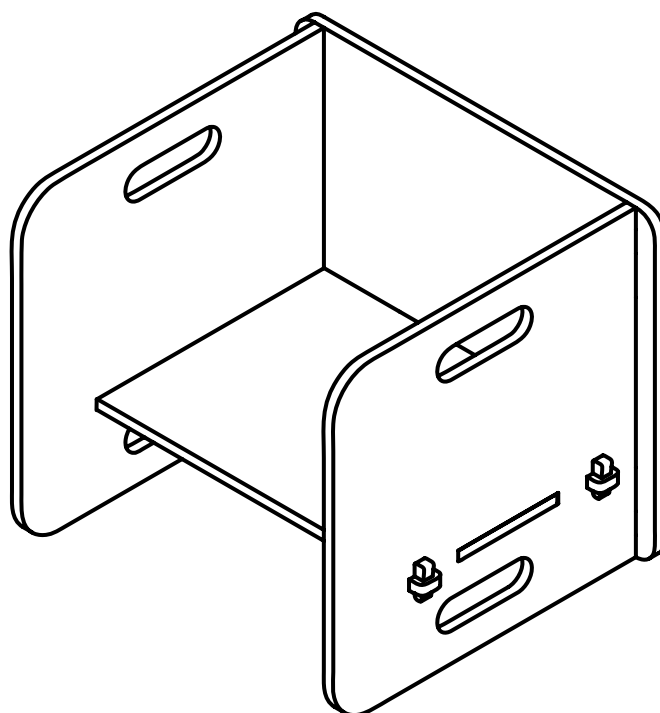


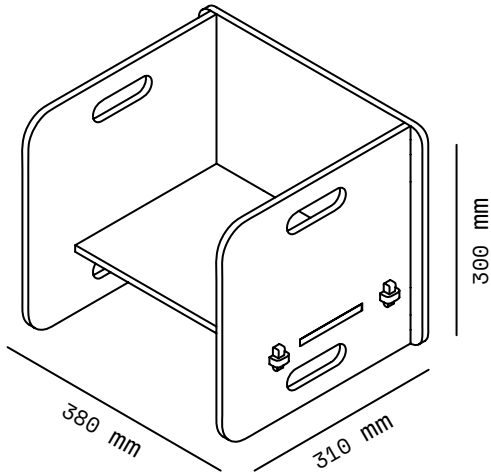
SOPRASOTTO

CUBE SIT



soprasottomilano.it
info@soprasottomilano.it

dimensions



weight

1.5 kg

material

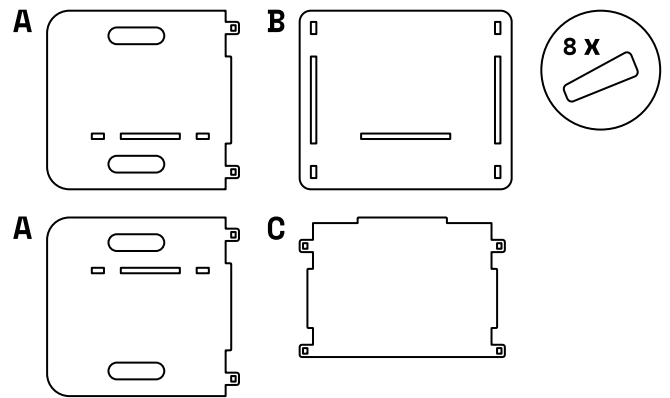
plywood 10 mm thickness

tools

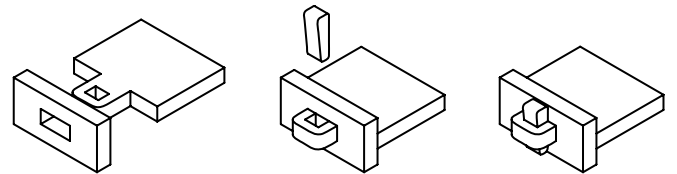
rubber mallet
sandpaper
lacquer | varnish

parts

SopraSotto_Cube Sit.dxf

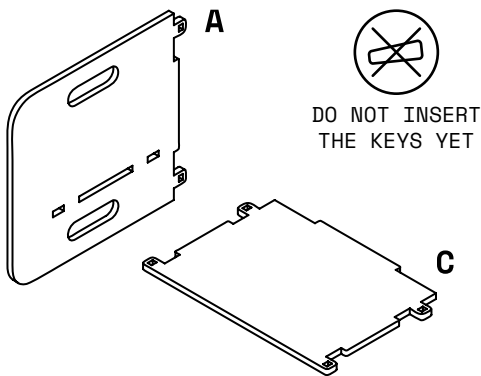


connection

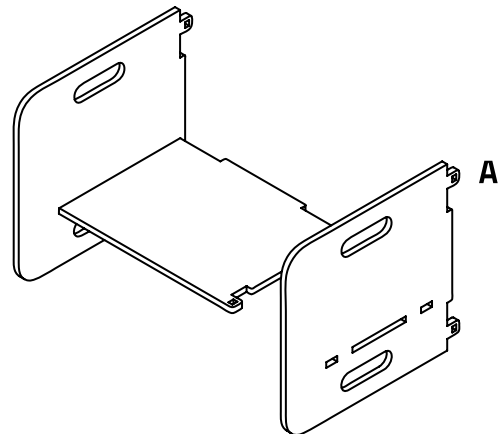


NOTE: The right angle of the key is oriented towards the surface.

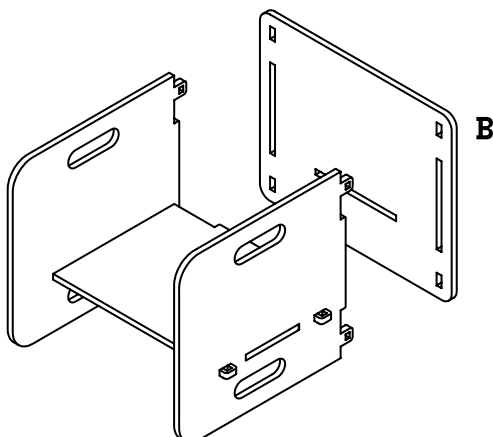
1. CONNECT THE SEAT TO ONE OF THE SIDES



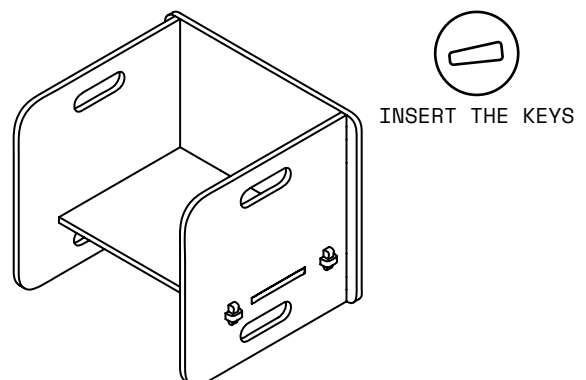
2. ATTACH THE OTHER SIDE



3. ADD THE BACK



4. LOCK THE CONNECTIONS



instructions

1. Lasercut the different parts out of a plywood board, 10 mm thickness. Sand the parts after cutting them with a fine sandpaper (ex: p320).

2. Assemble the chair.

3. Interlock all the parts by inserting the keys.

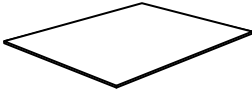
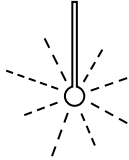
Use a rubber mallet if necessary.

NOTE: Make sure the right angle of the key is oriented towards the surface.

4. Apply different layers (2-3) of water based varnish or lacquer to protect the plywood. Let the surface dry between each layer.

(Follow the instructions mentioned on the product you are using.)

material & time

	 10 mm thick plywood 1200x900 mm	 Laser Cut Time
1 Cube Sit	1 board	20 min
2 Cube Sits (combined)	1 board	40 min

[Soprasotto](#) is a self managed kindergarten created in Milan in 2013 by a group of parents and educators. The purpose of this kindergarten is to make up for the lack of places in the public kindergartens and to create a space for both kids and adults, closer to the ongoing transformations in working conditions and family forms.

This kit is done by Lyne Dumoulin & Poorvik Patel between 14 May and 6 July 2018, with the support of [WeMake](#), within the EU funded project [DSI4eu](#).



DIGITAL
SOCIAL
INNOVATION

All our work is licensed under the Creative Commons Attribution-NonCommercial-ShareAlike 4.0 International License, [BY-NC-SA. 4.0](#).

Attribution - You must give appropriate credit, provide a link to the license and indicate if changes were made. You may do so in any reasonable manner, but not in any way that suggests the licensor endorses you or your use.

NonCommercial - You may not use the Soprasotto documentation files for commercial purposes. For example, you can't print a book with Soprasotto documentation as a content and sell it. But you can download the furniture plans, fabricate the furniture and sell them without any permission. Are you willing to make a commercial use of Soprasotto documentation? Contact us, we can discuss about it! (info@soprasottomilano.it)

ShareAlike - If you remix, transform, or build upon the material, you must distribute your contributions under the same license as the original.



SOPRASOTTO